

DAHLIA

ESSENTIAL SIMPLICITY



DAHLIA

ESSENTIAL SIMPLICITY

DAHLIA is the new wiring device system designed by GEWISS, an international company improving quality and safety in the domestic, industrial and commercial sectors for 45 years.

With an elegant appearance and classic shapes, DAHLIA complements the decor of your home with minimal and sophisticated forms. A simple and discrete Italian design bringing a sense of harmony and style to any environment.



GEWISS

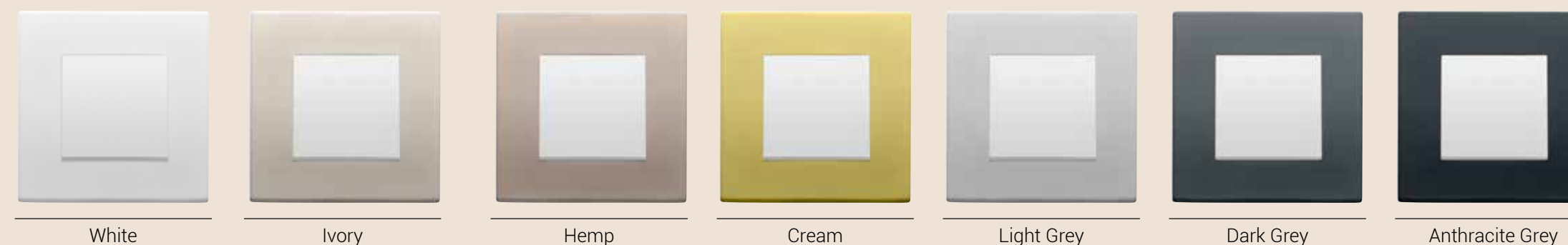
GEWISS

GEWISS S.p.A. Registered office: Via A. Volta, 1 - 24069 CENATE SOTTO (Bergamo) - Italy
Tel. +39 035 946 111 - Fax +39 035 945 222 - gewiss@gewiss.com - www.gewiss.com

Sole Shareholder company - Bergamo Register of Companies/VAT/Tax code (IT) 00385040167 - REA 107496 - Share Capital 60.000.000,00 EUR fully paid up

GEWISS

Seven colours



Two shades

Switches can be added in two shades, white or ivory, so you can choose your preferred combination for the switch.



White



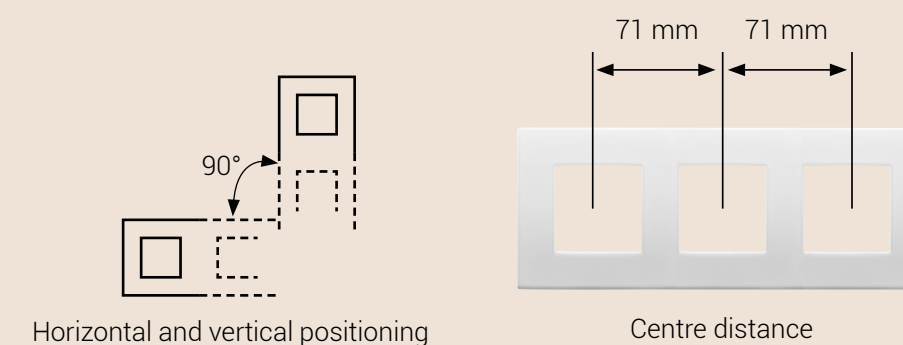
Ivory

Modularity

The range offers a combination of styles, and also functions as Dahlia can adapt to your specific home automation management requirements, providing a wide range of configurations: the modular design of the plates offers versions from 2 gang to 2+2+2+2+2 gang, or double-plates for double-sockets.



Dahlia can be oriented vertically or horizontally, minimising the number of product codes and making installation easier.



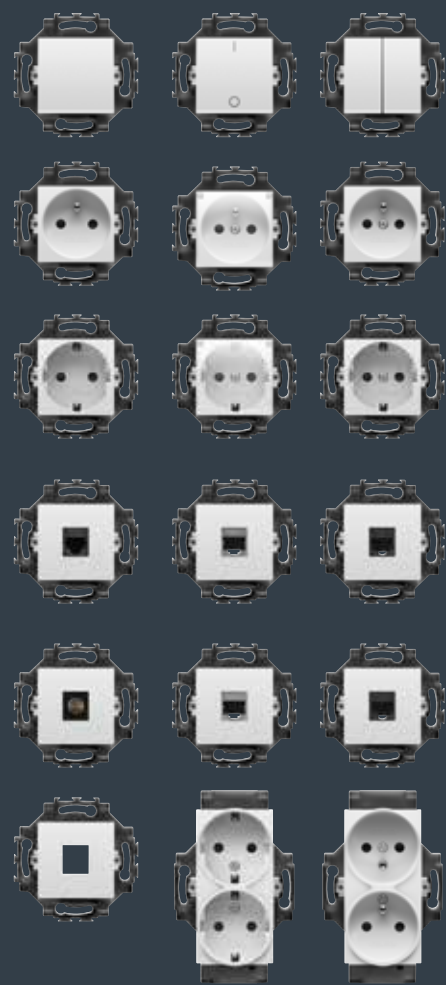
Horizontal and vertical positioning

Centre distance

Basic functions



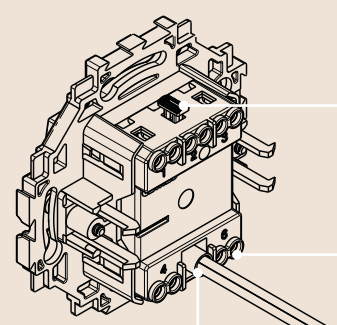
25 Dahlia devices (white and ivory):



Technical benefits

SWITCHES

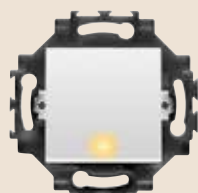
SCREWLESS



LED housing

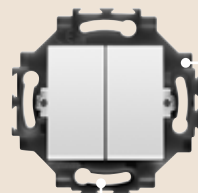
Quick wiring terminals with color-coded cable entries

Collar guide for a quick cable insertion (up to 2.5 mm²)



Backlit switches are provided with an amber LED for signalling

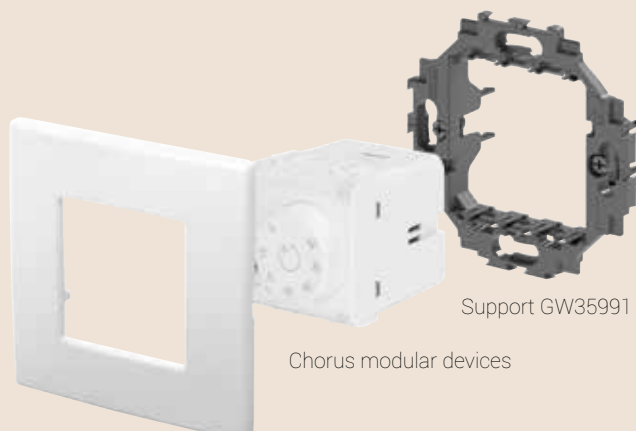
FRAME SUPPORT



Frame support made in technopolymer to ensure superior electrical insulation

4 holes for fixing to the box with screws

Advanced functions



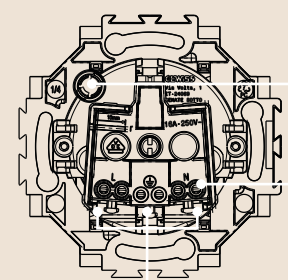
Dahlia plates

Chorus modular devices

Support GW35991

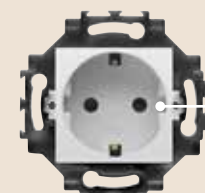
ENERGY SOCKETS

SCREWLESS



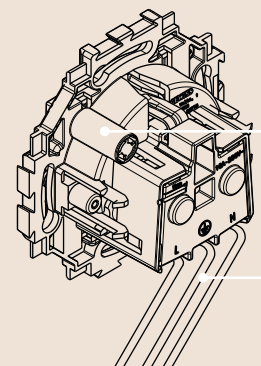
Single socket-outlets pre-arranged for LED lamp
Collar guide for quick cable insertion (up to 2.5 mm²)

Quick wiring terminals with color-coded cable entries

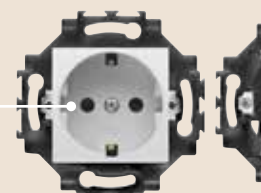


Integral child safety shutters

WITH SCREWS



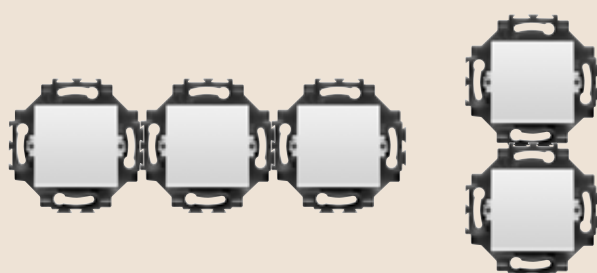
Single socket-outlets pre-arranged for LED lamp
Space-saving thanks to side mounted terminals (up to 2.5mm cable)



The cables are held in place using a "bracket" screw, for a better grip and electrical contact.

MODULARITY

Double dovetail coupling for increased stability and perfect coupling with the plates. Frame supports can be easily mounted together, in horizontal or in vertical configuration



Chorus modular devices (white and ivory):
Comfort, Safety&Security, Entertainment and Home&Building Automation



* Discover the whole CHORUS range of modular devices in the GEWISS Trade Catalogue.

Selection guide

PLATES

	White	Ivory	Hemp	Cream	Light Grey	Dark Grey	Anthracyte Grey
2 gang	GW35901AW	GW35901AY	GW35901AH	GW35901AM	GW35901AG	GW35901AD	GW35901AN
2+2 gang	GW35902AW	GW35902AY	GW35902AH	GW35902AM	GW35902AG	GW35902AD	GW35902AN
2+2+2 gang	GW35903AW	GW35903AY	GW35903AH	GW35903AM	GW35903AG	GW35903AD	GW35903AN
2+2+2+2 gang	GW35904AW	GW35904AY	GW35904AH	GW35904AM	GW35904AG	GW35904AD	GW35904AN
Double	GW35909AW	GW35909AY	GW35909AH	GW35909AM	GW35909AG	GW35909AD	GW35909AN

ACCESSORIES

Accessories	Code	Description
	GW35991	Support for Chorus modular devices
	GW35981	LED signalling units - amber

DEVICES

White Devices	Ivory Devices	Description	White Devices	Ivory Devices	Description
GW35031W	GW35001Y	One-way switch - 1P 10AX - illuminable - quick wiring	GW35203W	GW35203Y	German standard socket-outlet - 2P+E 16A - front-tightening terminals - with lid IP40
GW35002W	GW35002Y	One-way switch - 1P 10AX - backlit - quick wiring	GW35204W	GW35204Y	Double German standard socket-outlet - 2P+E 16A - front-tightening terminals
GW35071W	GW35011Y	Two-way switch - 1P 10AX - illuminable - quick wiring	GW35212W	GW35212Y	French standard socket-outlet - 2P+E 16A - front-tightening terminals
GW35012W	GW35012Y	Two-way switch - 1P 10AX - backlit - quick wiring	GW35213W	GW35213Y	French standard socket-outlet - 2P+E 16A - front-tightening terminals - with lid IP40
GW35015W	GW35015Y	Intermediate switch - 1P 10AX - quick wiring	GW35214W	GW35214Y	Double French standard socket-outlet - 2P+E 16A - front-tightening terminals
GW35021W	GW35021Y	Push-button - 1P 10A - illuminable - quick wiring	GW35261W	GW35261Y	TV socket-outlet - 0dB
GW35022W	GW35022Y	Push-button - 1P 10A - backlit - quick wiring	GW35251W	GW35251Y	RJ11 telephone socket-outlet
GW35003W	GW35003Y	One-way switch - 2P 10AX - illuminable - quick wiring	GW35271W	GW35271Y	RJ45 data socket-outlet cat. 5e UTP
GW35051W	GW35051Y	Double one-way switch - 1P 10AX - quick wiring	GW35272W	GW35272Y	RJ45 data socket-outlet cat. 5e FTP
GW35052W	GW35052Y	Double two-way switch - 1P 10AX - quick wiring	GW35273W	GW35273Y	RJ45 data socket-outlet cat. 6 UTP
GW35206W	GW35201Y	German standard socket-outlet - 2P+E 16A - quick wiring	GW35274W	GW35274Y	RJ45 data socket-outlet cat. 6 FTP
GW35216W	GW35211Y	French standard socket-outlet - 2P+E 16A - quick wiring	GW35280W	GW35280Y	Keystone Jack empty enclosure
GW35207W	GW35202Y	German standard socket-outlet - 2P+E 16A - front-tightening terminals			